

BRASS SIGHT GLASS C 158

MAIN CHARACTERISTICS

Built in brass, the C158 sight glass is dedicated to the visual control and inspection of transparent fluids flow in pipes with low pressure and standard temperatures. With single glass construction, the C158 has a ball. The C158 is a one way sight glass. The flow has to follow the arrow stamped on the body. It has to be mounted horizontally only.

AVAILABLE ITEMS

3/8" to 1"
BSP threaded connections

LIMITS OF USE

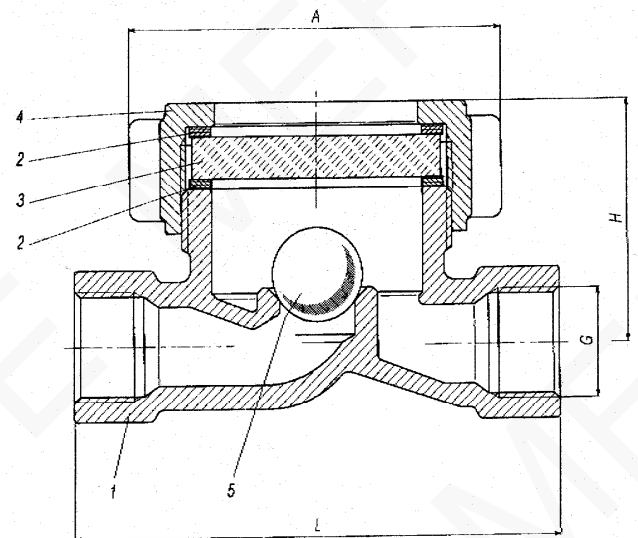
PS : 16 bar
TS : 80°C

CONSTRUCTION

#	Description	Quantity	Material
1	Body	1	Brass
2	Glass gasket	4	Fiber
3	Glass	2	Tempered glass
4	Cover	2	Brass
5	Ball	1	Moplen

DIMENSIONS (mm)

A	74	74	74	74
H	47	47	50	54
L	109	97	100	103
G	3/8"	1/2"	3/4"	1"



BRASS SIGHT GLASS C 158

INSTALLING AND MAINTAINING

- Before installation or maintaining, shut off the line using upstream and downstream valve.
- Remove the pressure inside and drain the pipe.
- If the pipe is warm, wait the complete cooling to room temperature.
- Wear protections equipments adapted to this kind of operation (gloves and glasses).

Installing

- Only horizontal. The sight glass does not function if it is installed vertically.
- Install the sight glass by screwing the connections on the pipes ends and using an appropriate gasket. It has to be visible by the operators.
- The arrow stamped on the body must follow the direction of the flow.

Maintaining

- Remove the cover and remove the glass.
- Clean the glass and the inner parts of the body.
- Verify the state of the glass and check any starting of chemical corrosion or mechanical erosion. Replace it if necessary.

SPARE PARTS

Set including 1 glass and 2 gaskets

DN	Code
1/2" – 1"	981011